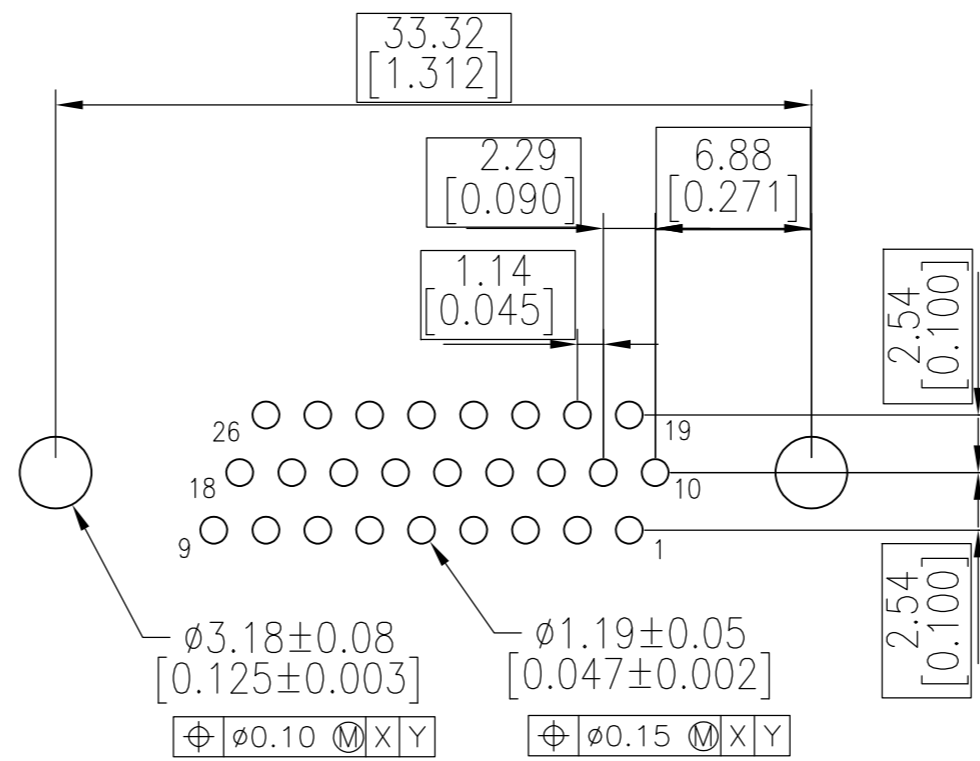
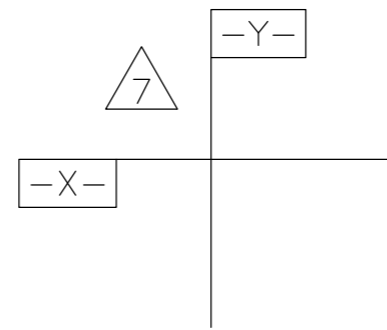
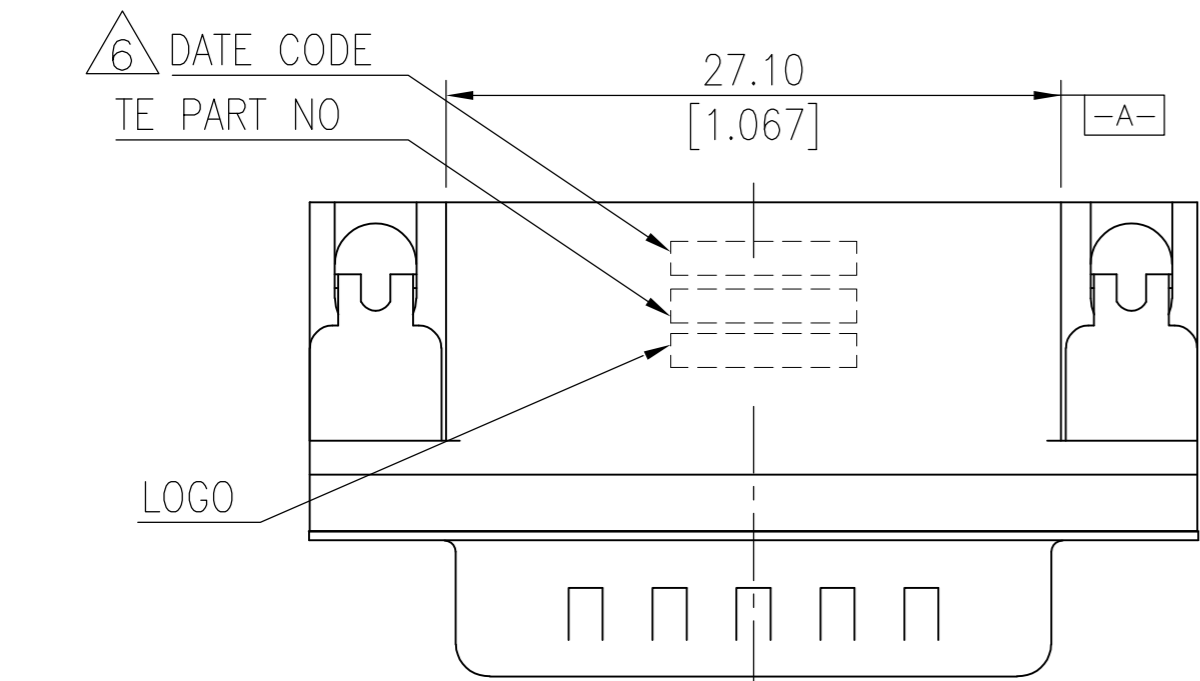
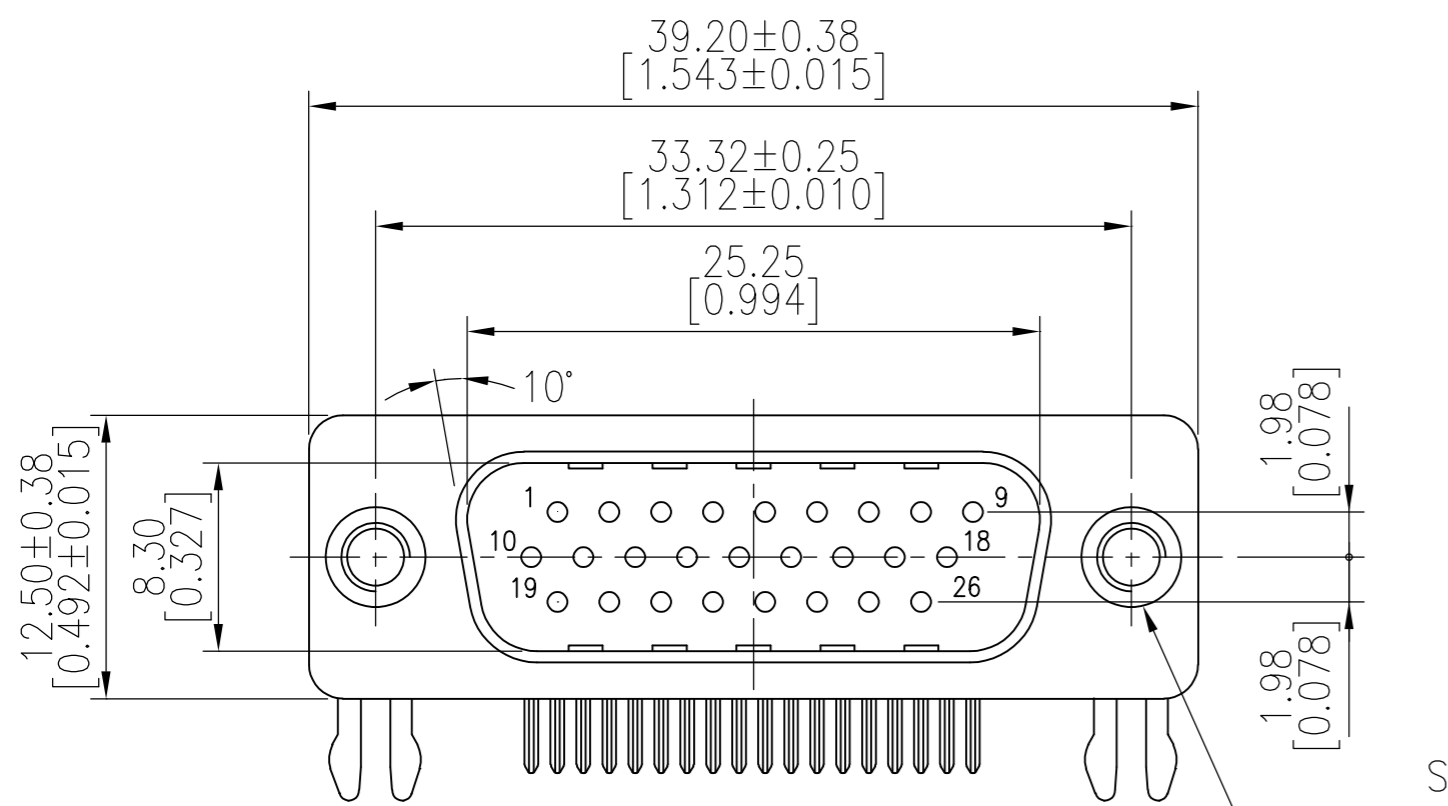


THIS DRAWING IS UNPUBLISHED. RELEASED FOR PUBLICATION
 © COPYRIGHT - By - ALL RIGHTS RESERVED.

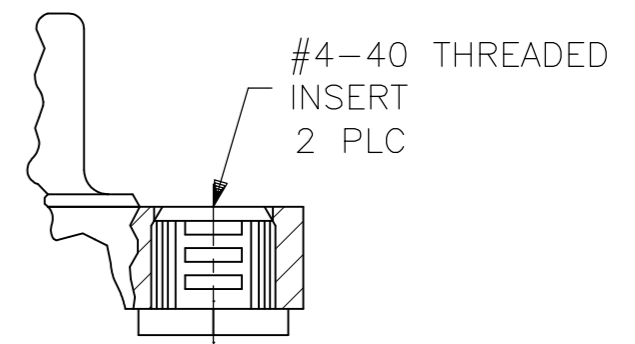
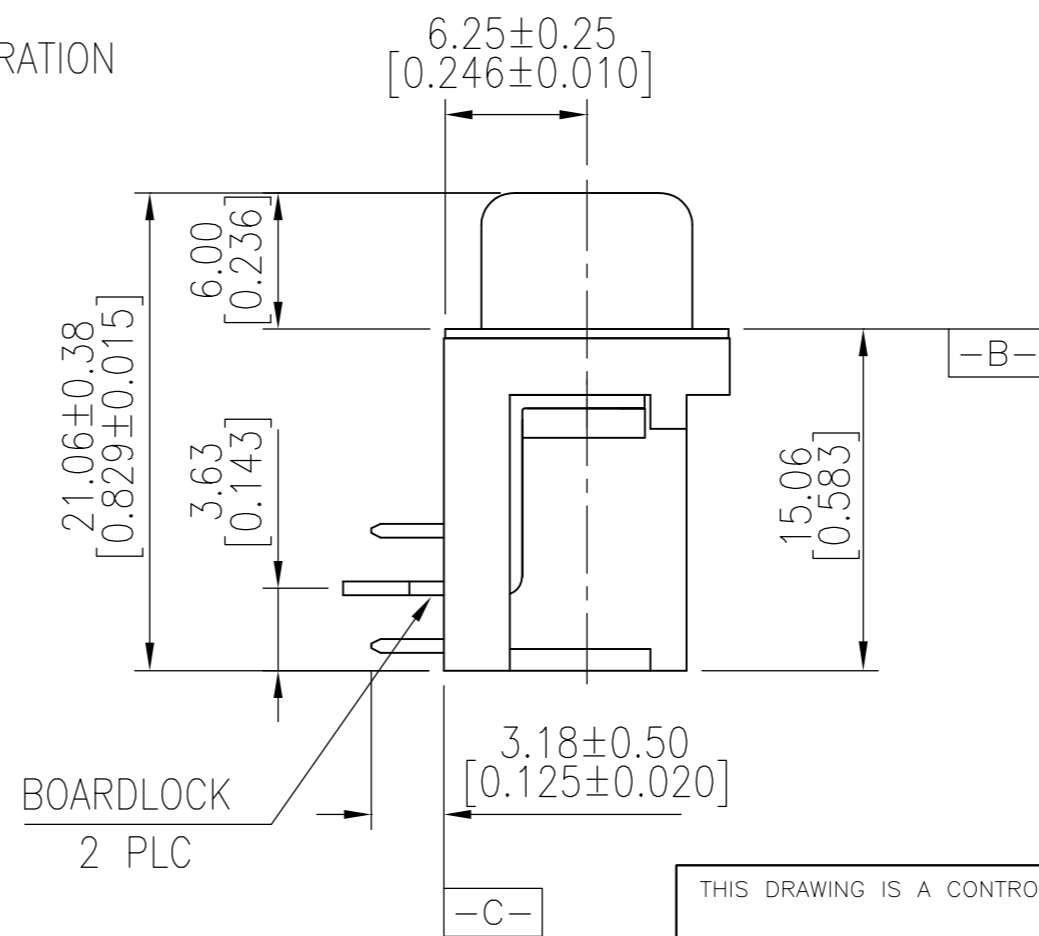
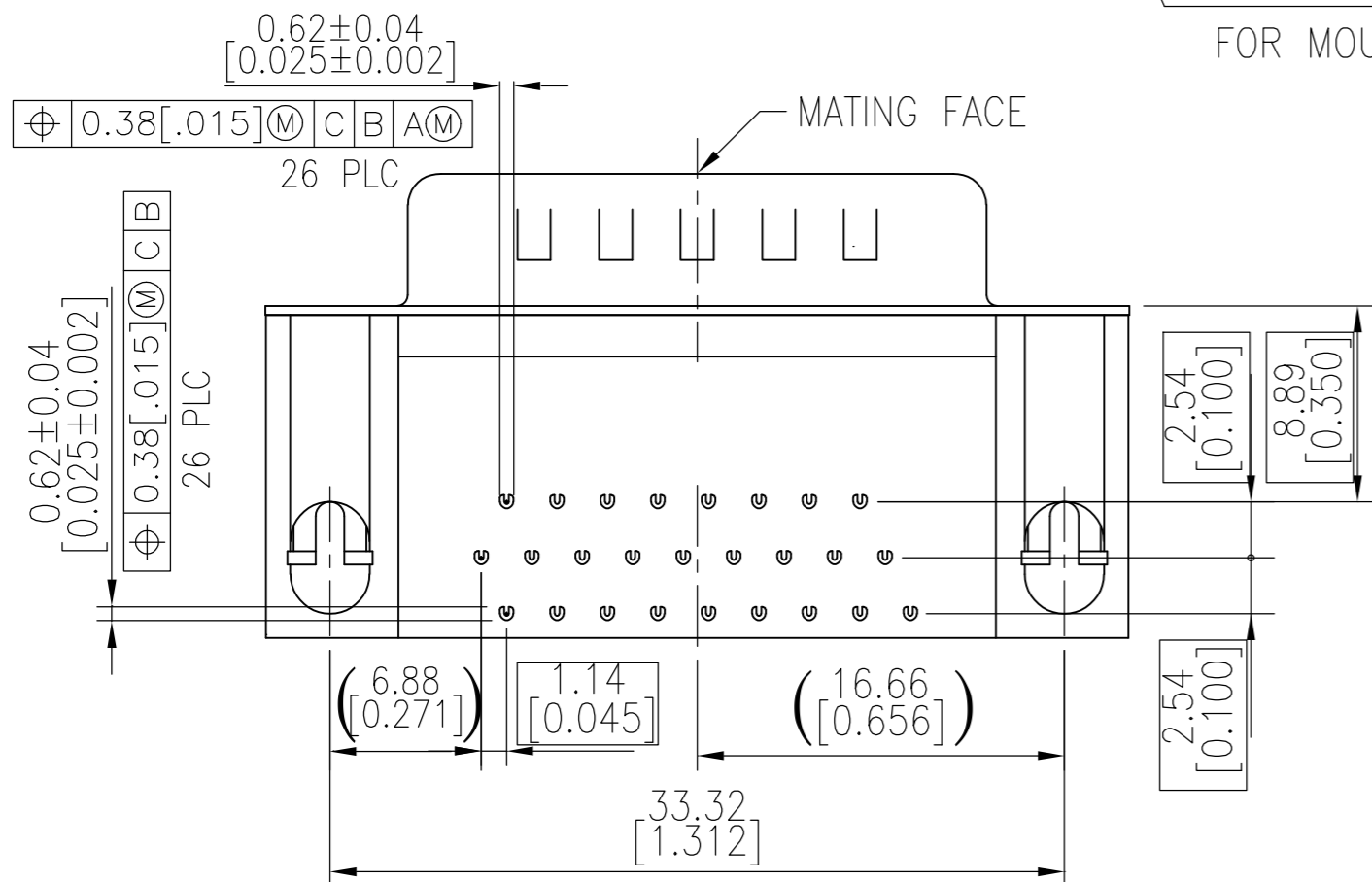
LOC	DIST	REVISIONS					
		P	LTR	DESCRIPTION	DATE	DWN	APVD
DW	-	B2		REVISED PER ECO-15-011151	14DEC2015	AP	DG



RECOMMENDED PCB LAYOUT



SEE TABLE FOR MOUNTING CONFIGURATION



DETAIL A

- HOUSING: PBT, BLACK, UL94V-0.
- CONTACT: BRASS, GOLD PLATE IN THE MATING AREA (SEE TABLE), 120u" MINIMUM TIN PLATE ON THE SOLDER-TAIL BOTH OVER 50u" MINIMUM NICKEL UNDERPLATE.
- SHELL: STEEL, NICKEL PLATE.
- BOARDLOCK: BRASS, 100u" MINIMUM TIN PLATE
- THREADED INSERT: BRASS, NICKEL PLATE

△ FOUR DIGIT DATE CODE IN THIS FORMAT.

YEAR 01 45 MANUFACTURING WEEK

△ DATUMS -X- & -Y- TO BE ESTABLISHED BY CUSTOMER.

OBSOLETE	TRAY	DETAIL A	GOLD FLASH	5749769-3
OBSOLETE	TRAY	DETAIL A	15μ" MIN	5749769-2
	TRAY	DETAIL A	30μ" MIN	5749769-1
PACKAGING		MOUNTING FLANGE CONFIG	CONTACT MATING AREA FINISH	PART NUMBER

DIMENSIONS:		TOLERANCES UNLESS OTHERWISE SPECIFIED:		DWN		RICHARDSON		TE Connectivity			
mm		0 PLC	± -	CHK	S. BOLASH	22APR2005					
		1 PLC	± 0.30	APVD	M. WALMSLEY	22APR2005					
		2 PLC	± 0.20	PRODUCT SPEC				PLUG ASSEMBLY, RIGHT ANGLE, 26 POSITION, HD-22, AMPLIMITE			
		3 PLC	± 0.10	APPLICATION SPEC				SIZE	CAGE CODE	DRAWING NO	RESTRICTED TO
		4 PLC	± -					A2	00779	C=5749769	-
		ANGLES	± 2°					SCALE	SHEET	1 of 2	REV
MATERIAL	SEE NOTE	FINISH	SEE NOTE	WEIGHT	GRAMS						B2
				CUSTOMER DRAWING							

4

3

2

1

THIS DRAWING IS UNPUBLISHED. RELEASED FOR PUBLICATION
 © COPYRIGHT - By - ALL RIGHTS RESERVED.

LOC	DIST	REVISIONS			
P	LTR	DESCRIPTION	DATE	DWN	APVD
DW	-	SEE SHEET 1	-	-	-

URETHANE CUSHION (2 PLACES)

TAPE (4 PLACES)

AIR CAP SHEET (4 PLACES)

Cover

Tray

NOTES:

- MATERIAL:
 - 1.1 TRAY: PVC
 - 1.2 SHIPPING CARTON: CORRUGATED FIBERBOARD
- DIMENSION:
 - 2.1 TRAY: L=32.0X23.0X1.89 CM
 - 2.2 SHIPPING CARTON: L=36.1X24.5X27.2 CM
- QUANTITY:
 - 3.1 PRIMARY PACKING: 80 PCS/TRAY
 - 3.2 SECONDARY PACKING: 10 TRAY/CARTON(800PCS)
- WEIGHT:
 - 4.1 NET WEIGHT: 9.54 Kg
 - 4.2 GROSS WEIGHT: 11.54 Kg

LABEL

36.1

24.5

27.2

8.40

2.70

13.10

9.70

0.35±0.05

THIS DRAWING IS A CONTROLLED DOCUMENT.		DWN R. RICHARDSON 22APR2005																						
DIMENSIONS: mm		CHK S. BOLASH 22APR2005																						
TOLERANCES UNLESS OTHERWISE SPECIFIED:		APVD M. WALMSLEY 22APR2005	NAME PLUG ASSEMBLY, RIGHT ANGLE, 26 POSITION, HD-22, AMPLIMITE																					
<table border="1"> <tr><td>0 PLC</td><td>±</td><td>-</td></tr> <tr><td>1 PLC</td><td>±</td><td>0.30</td></tr> <tr><td>2 PLC</td><td>±</td><td>0.20</td></tr> <tr><td>3 PLC</td><td>±</td><td>0.10</td></tr> <tr><td>4 PLC</td><td>±</td><td>-</td></tr> <tr><td>ANGLES</td><td>±</td><td>2°</td></tr> </table>		0 PLC	±	-	1 PLC	±	0.30	2 PLC	±	0.20	3 PLC	±	0.10	4 PLC	±	-	ANGLES	±	2°	PRODUCT SPEC -	SIZE A2	CAGE CODE 00779	DRAWING NO C=5749769	RESTRICTED TO -
0 PLC	±	-																						
1 PLC	±	0.30																						
2 PLC	±	0.20																						
3 PLC	±	0.10																						
4 PLC	±	-																						
ANGLES	±	2°																						
MATERIAL SEE NOTE		FINISH SEE NOTE	WEIGHT - GRAMS	SCALE -	SHEET 2 of 2	REV B2																		
		CUSTOMER DRAWING																						

1471-9 (3/11)

5749769